

Aldeck

Aldeck

GROUP

**Commercial
Handrail
Systems**

15 Brock Street, Thomastown VIC 3074
Tel: (03) 9465 1122 Fax: (03) 9465 1126
Email: aldeck@aldeck.com.au www.aldeck.com.au

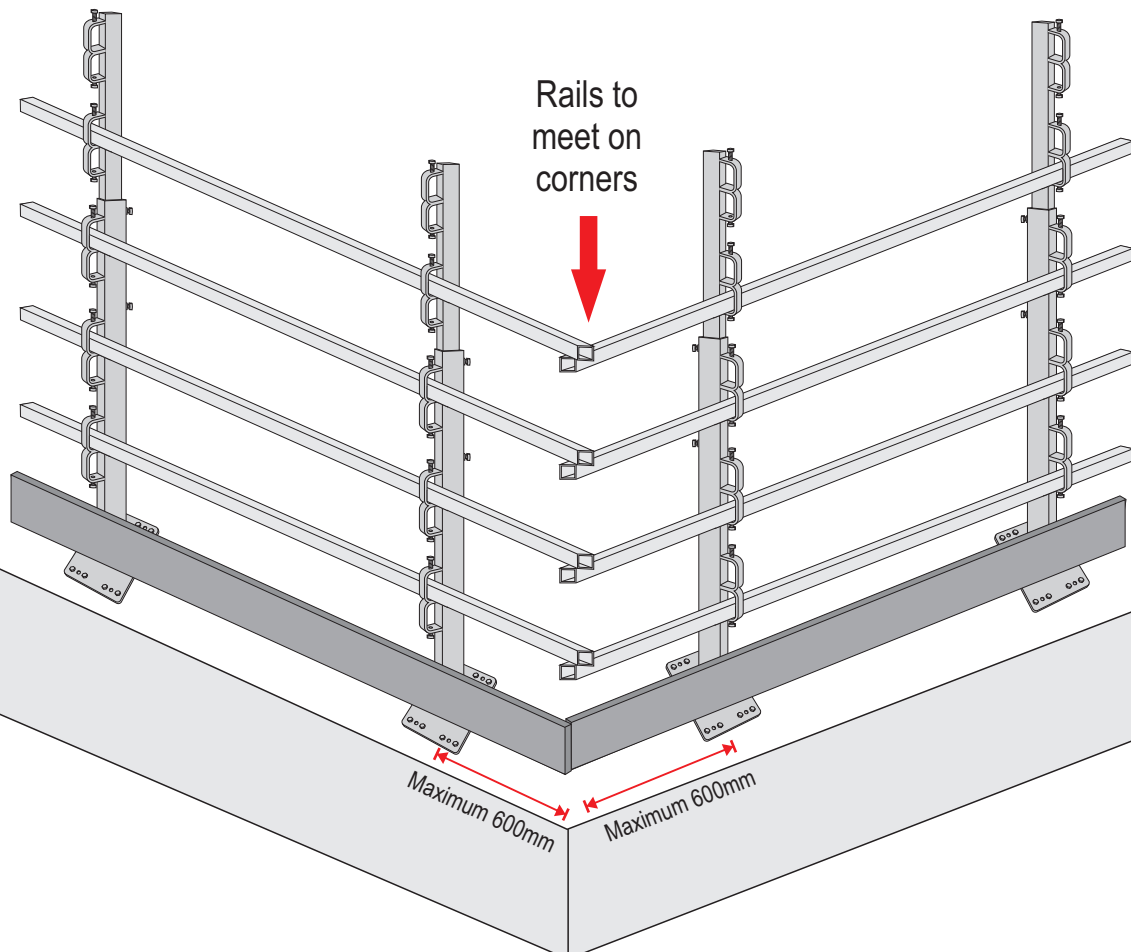
CONTENTS	PAGE
<i>Telescopic System</i>	
Telescopic Handrail System	2
<i>Over Purlin Systems</i>	
Perimeter Handrail	3
Gable End Application	4
Clamp on Bracket	5
Bolt on Bracket	
<i>Under Purlin Systems</i>	6
Purlin Handrail (Off 2 Purlins)	7
Purlin Handrail (Gable End)	8
Beam Handrail	9
I Beam Handrail	10
Purlin Offset Handrail	11
Timber Beam Handrail	12
Timber Beam Handrail (Alternate)	13
Concrete Bolt On Handrail	14

Telescopic Handrail System

Aldeck

TELESCOPIC

- Maximum post spacing is 3 metres.
- Rails may not exceed 600mm overhang from post
- When installing or dismantling, this work must be in accordance with state legislation under the OH&S act.



**INSTALLATION MANUAL & TEST REPORTS
AVAILABLE UPON REQUEST.**

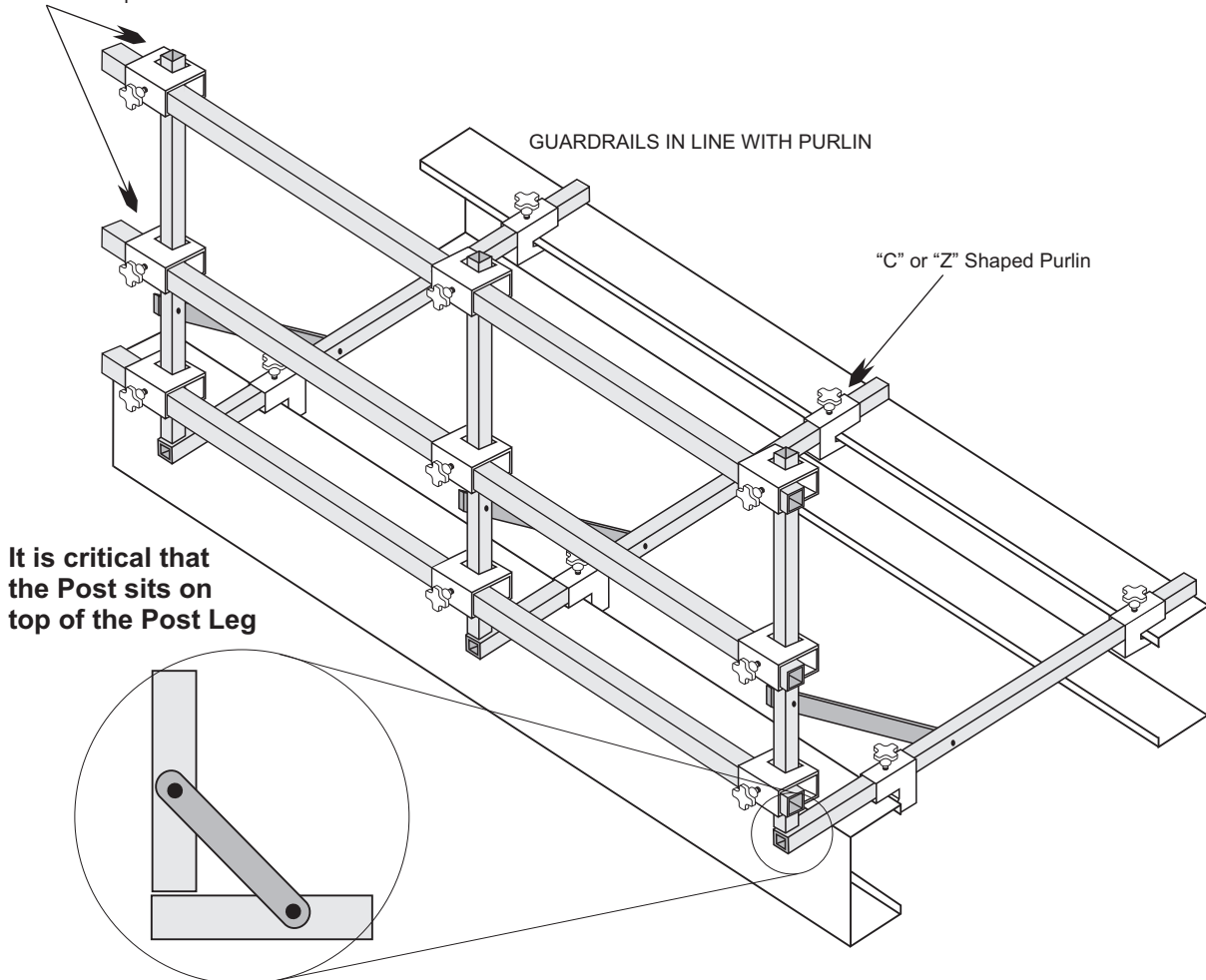
Perimeter Handrail

Aldeck

OVER PURLIN

- Maximum post spacing is 3 metres.
- When installing or dismantling, this work must be in accordance with state legislation under the OH&S act.

Join rails at post



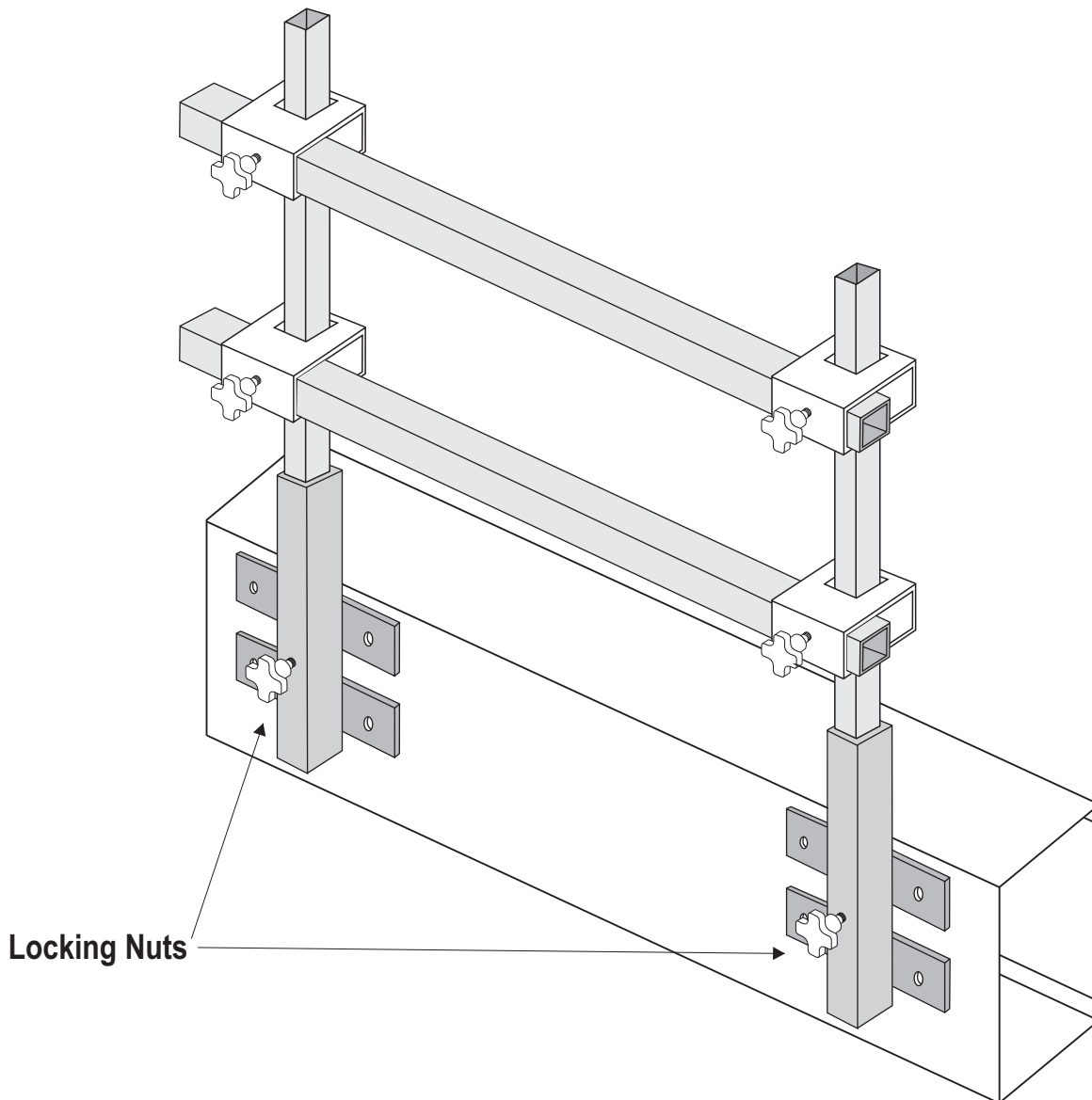
**INSTALLATION MANUAL & TEST REPORTS
AVAILABLE UPON REQUEST.**

Gable End Application

Aldeck

OVER PURLIN

- Maximum post spacing is 3 metres.
- When installing or dismantling, this work must be in accordance with state legislation under the OH&S act.



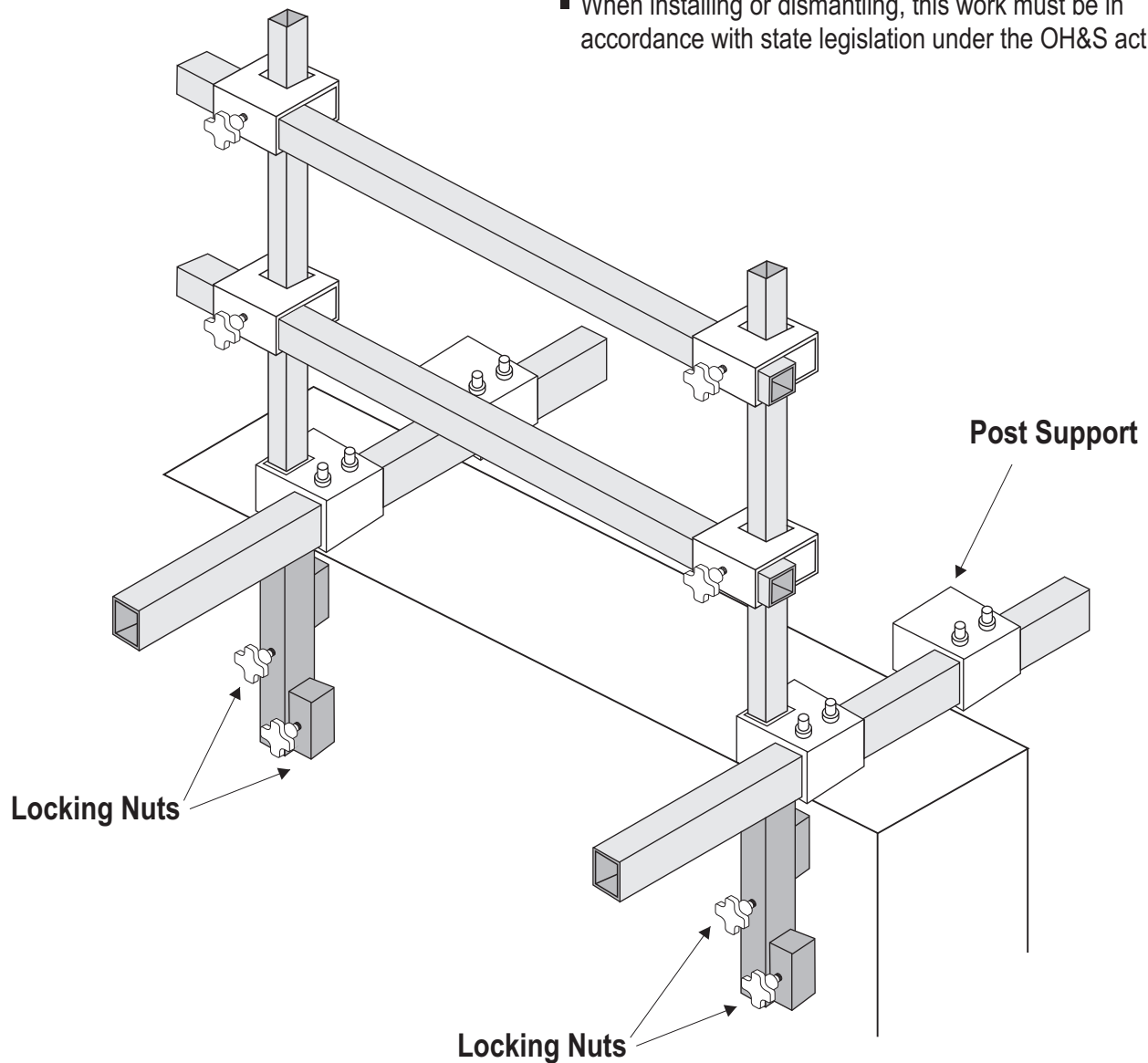
**INSTALLATION MANUAL & TEST REPORTS
AVAILABLE UPON REQUEST.**

Clamp on Bracket

Aldeck

OVER PURLIN

- Maximum post spacing is 3 metres.
- When installing or dismantling, this work must be in accordance with state legislation under the OH&S act.



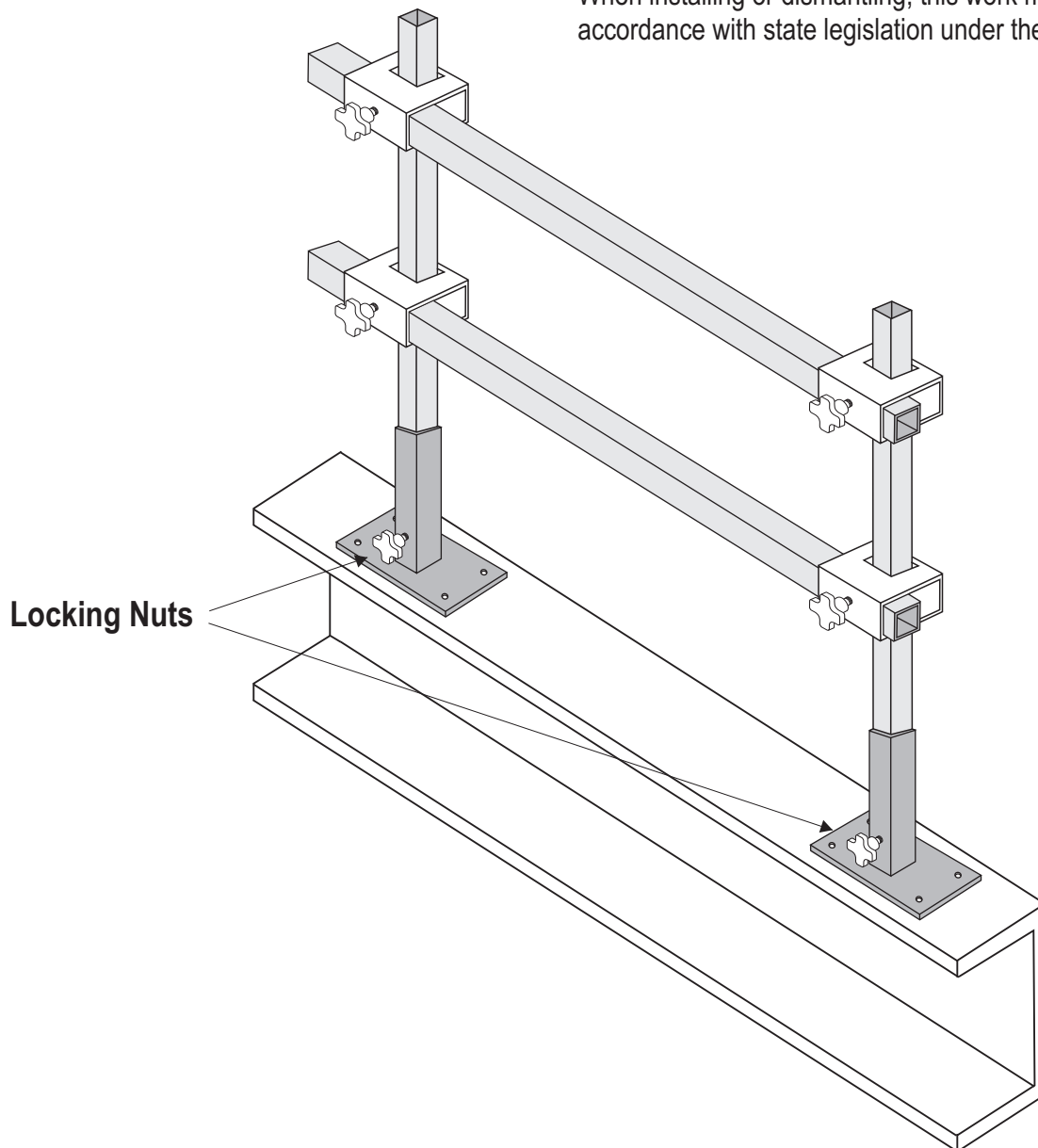
**INSTALLATION MANUAL & TEST REPORTS
AVAILABLE UPON REQUEST.**

Bolt on Bracket

Aldeck

OVER PURLIN

- Maximum post spacing is 3 metres.
- When installing or dismantling, this work must be in accordance with state legislation under the OH&S act.



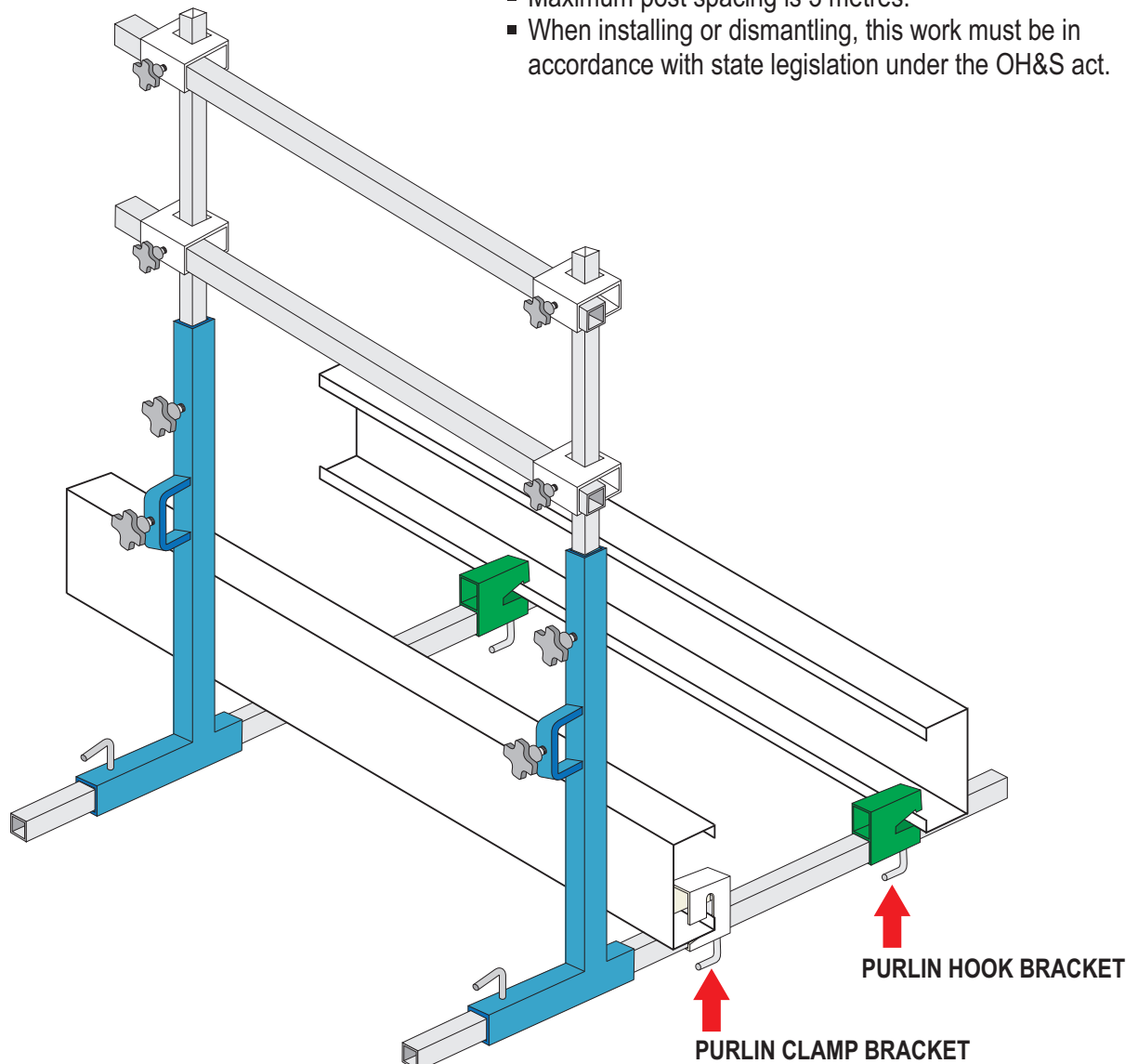
**INSTALLATION MANUAL & TEST REPORTS
AVAILABLE UPON REQUEST.**

Purlin Handrail (Off 2 Purlins)

Aldeck

UNDER PURLIN

- Maximum post spacing is 3 metres.
- When installing or dismantling, this work must be in accordance with state legislation under the OH&S act.



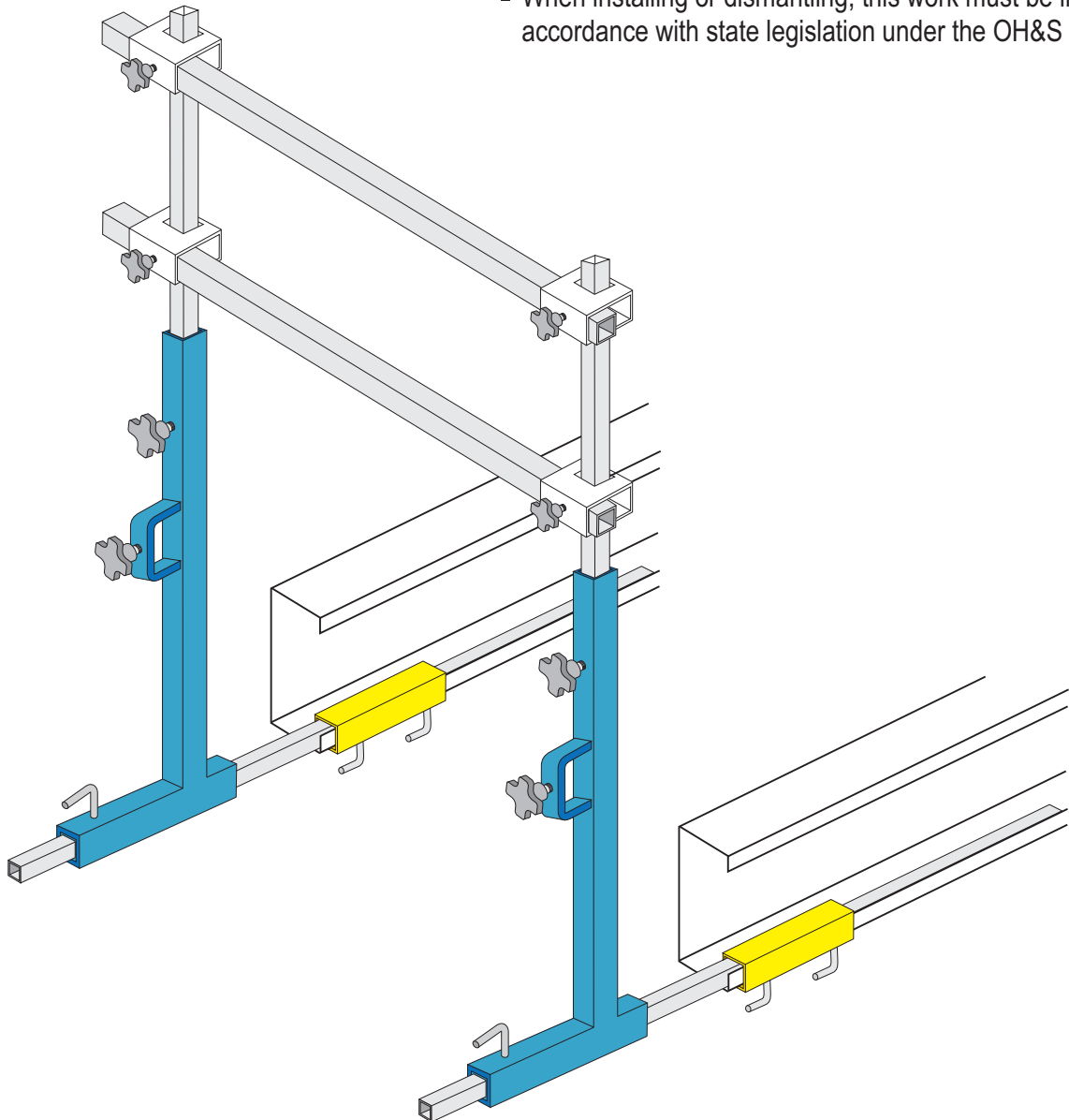
**INSTALLATION MANUAL & TEST REPORTS
AVAILABLE UPON REQUEST.**

Purlin Handrail (Gable End)

Aldeck

UNDER PURLIN

- Maximum post spacing is 3 metres.
- When installing or dismantling, this work must be in accordance with state legislation under the OH&S act.

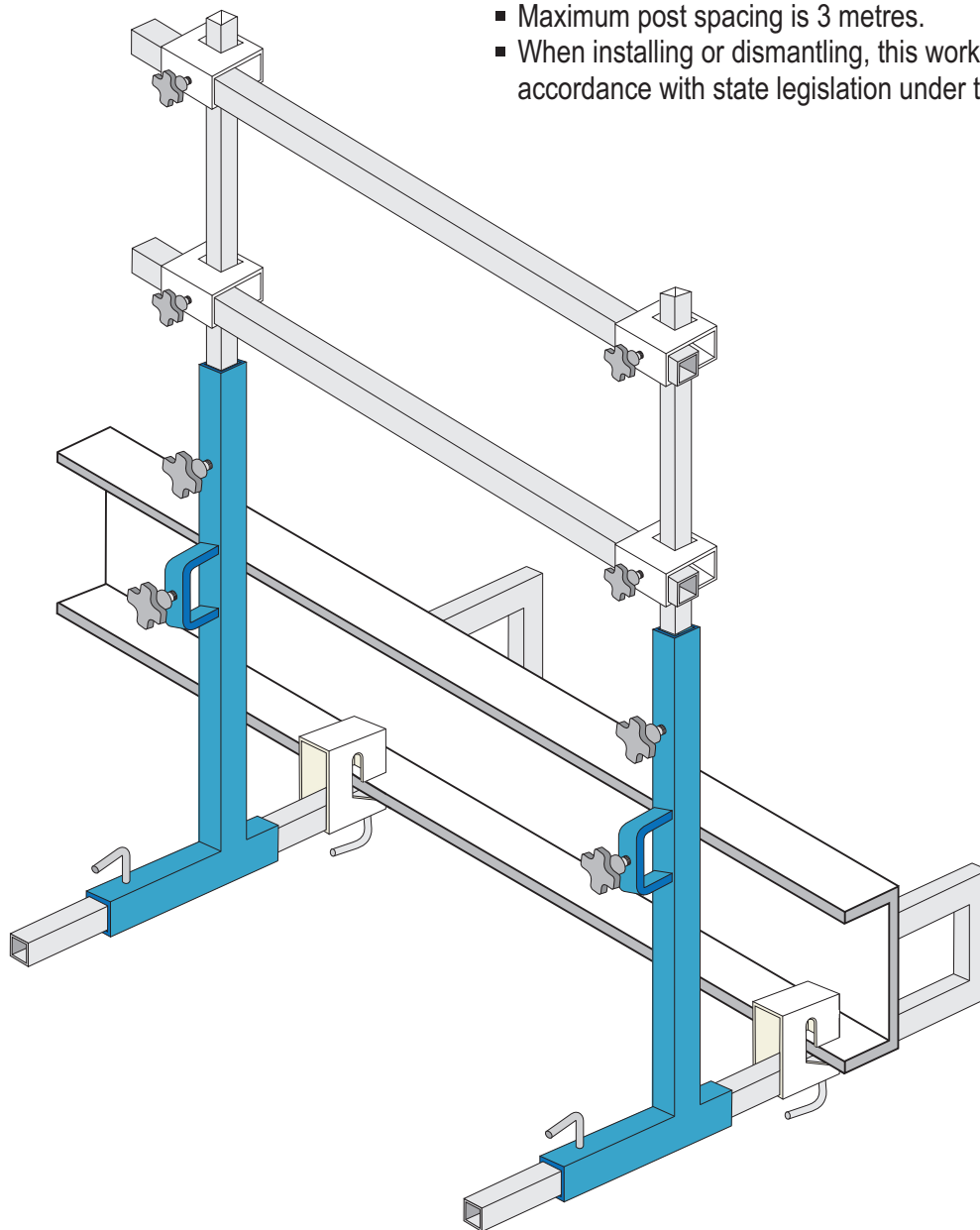


**INSTALLATION MANUAL & TEST REPORTS
AVAILABLE UPON REQUEST.**

Beam Handrail

Aldeck

UNDER PURLIN

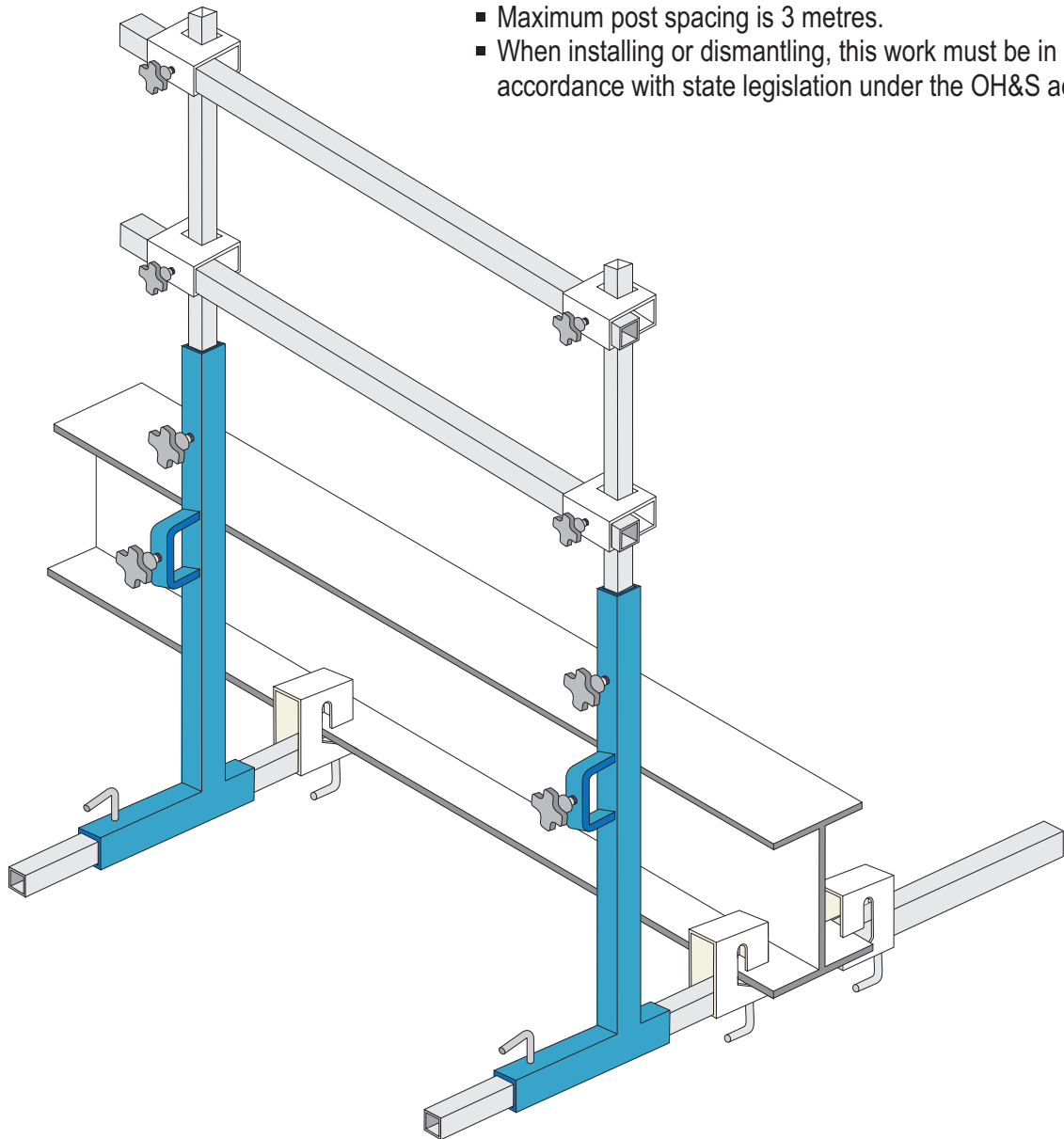


**INSTALLATION MANUAL & TEST REPORTS
AVAILABLE UPON REQUEST.**

I Beam Handrail

Aldeck

UNDER PURLIN



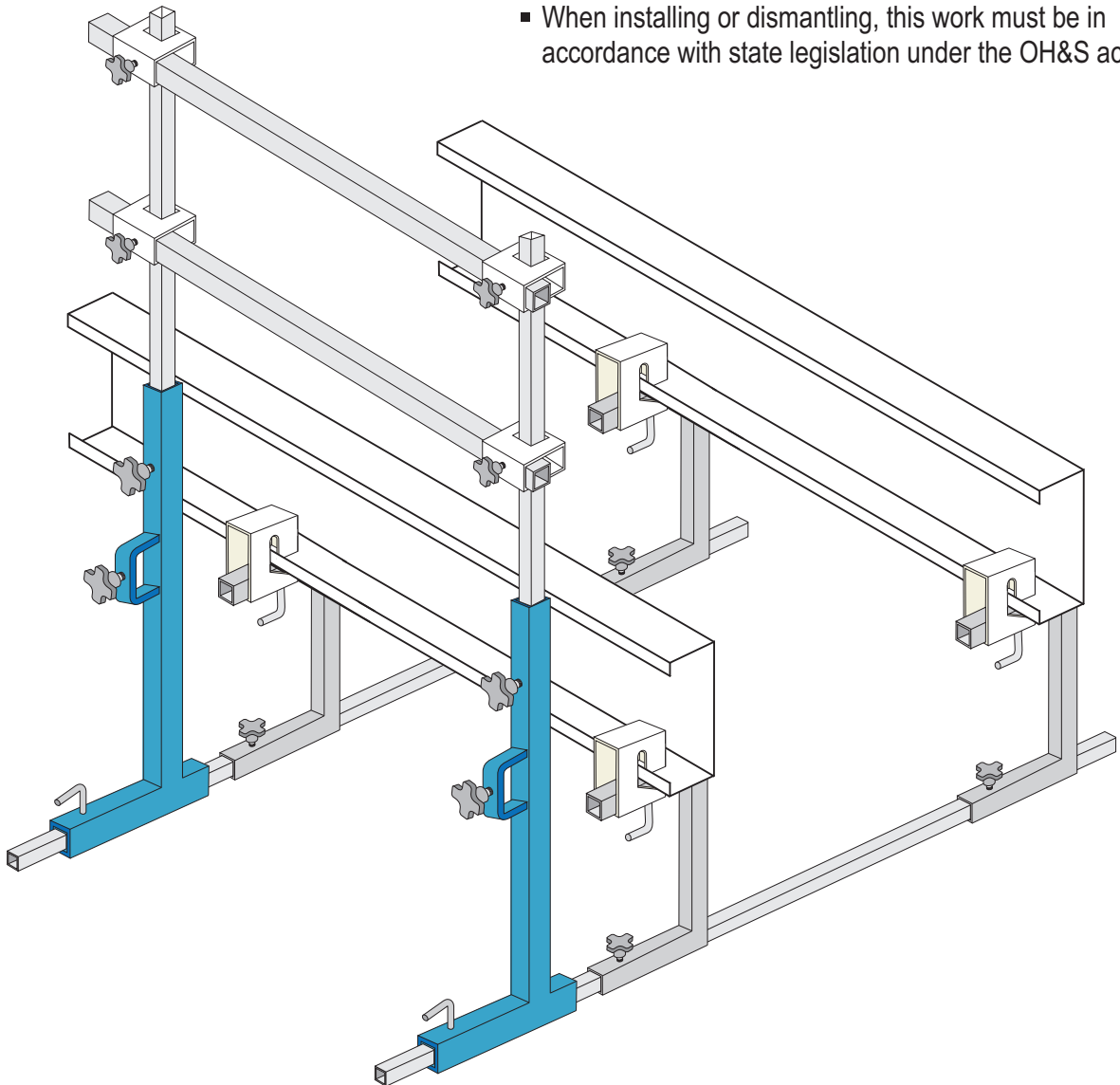
**INSTALLATION MANUAL & TEST REPORTS
AVAILABLE UPON REQUEST.**

Purlin Offset Handrail

Aldeck

UNDER PURLIN

- Maximum post spacing is 3 metres.
- When installing or dismantling, this work must be in accordance with state legislation under the OH&S act.



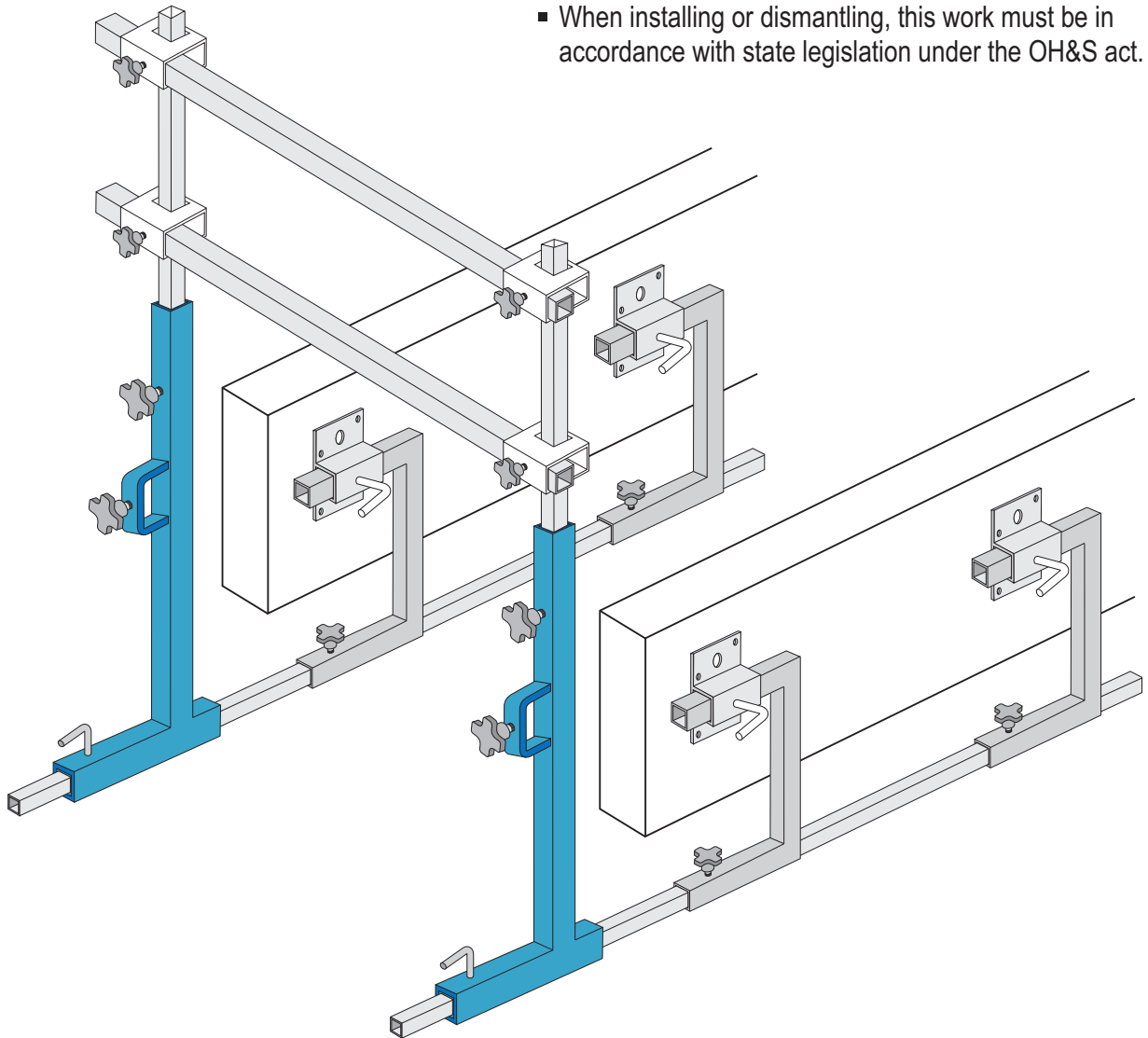
**INSTALLATION MANUAL & TEST REPORTS
AVAILABLE UPON REQUEST.**

Timber Beam Handrail

Aldeck

UNDER PURLIN

- Maximum post spacing is 3 metres.
- When installing or dismantling, this work must be in accordance with state legislation under the OH&S act.



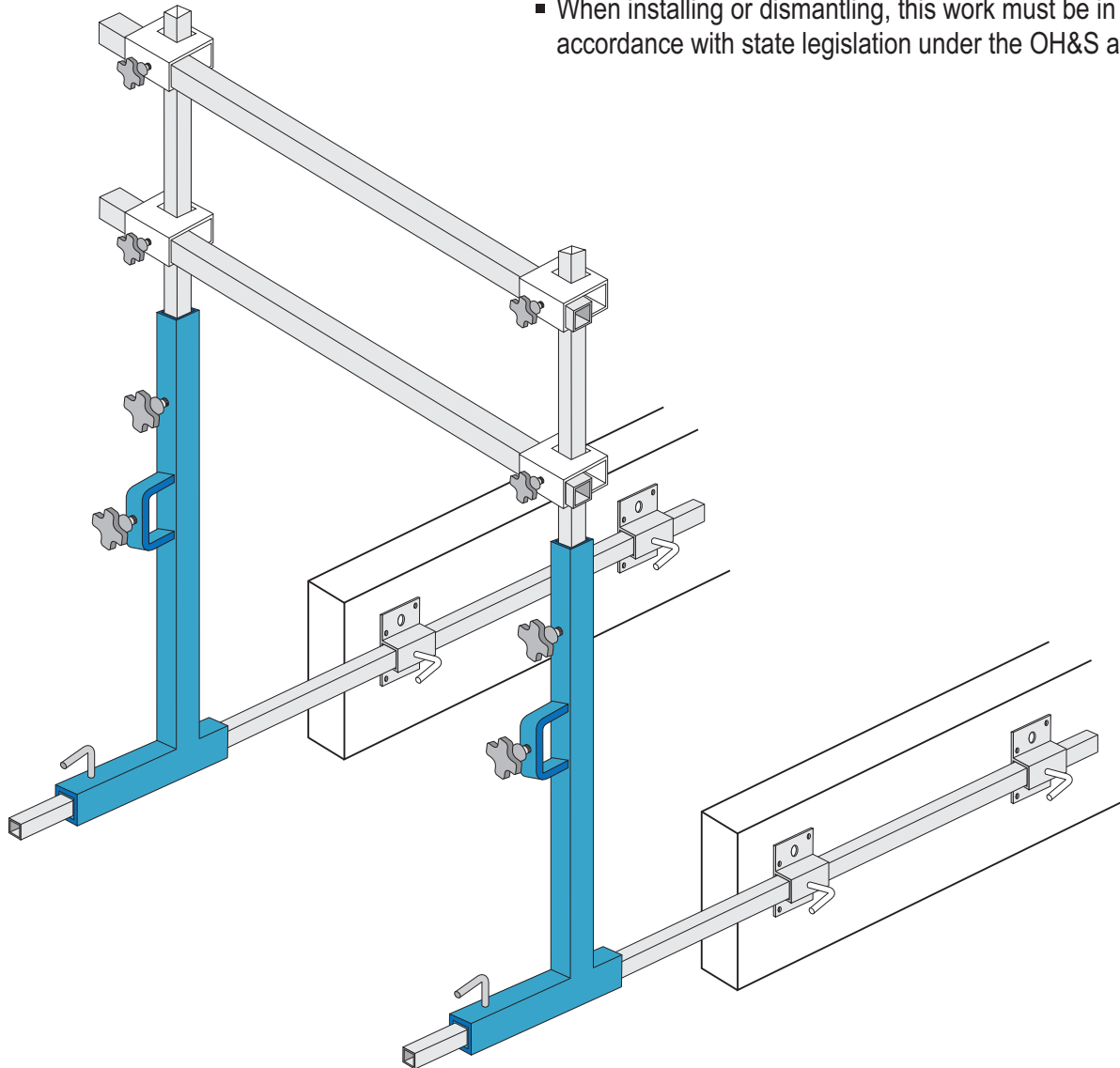
**INSTALLATION MANUAL & TEST REPORTS
AVAILABLE UPON REQUEST.**

Timber Beam Handrail (Alternate)

Aldeck

UNDER PURLIN

- Maximum post spacing is 3 metres.
- When installing or dismantling, this work must be in accordance with state legislation under the OH&S act.



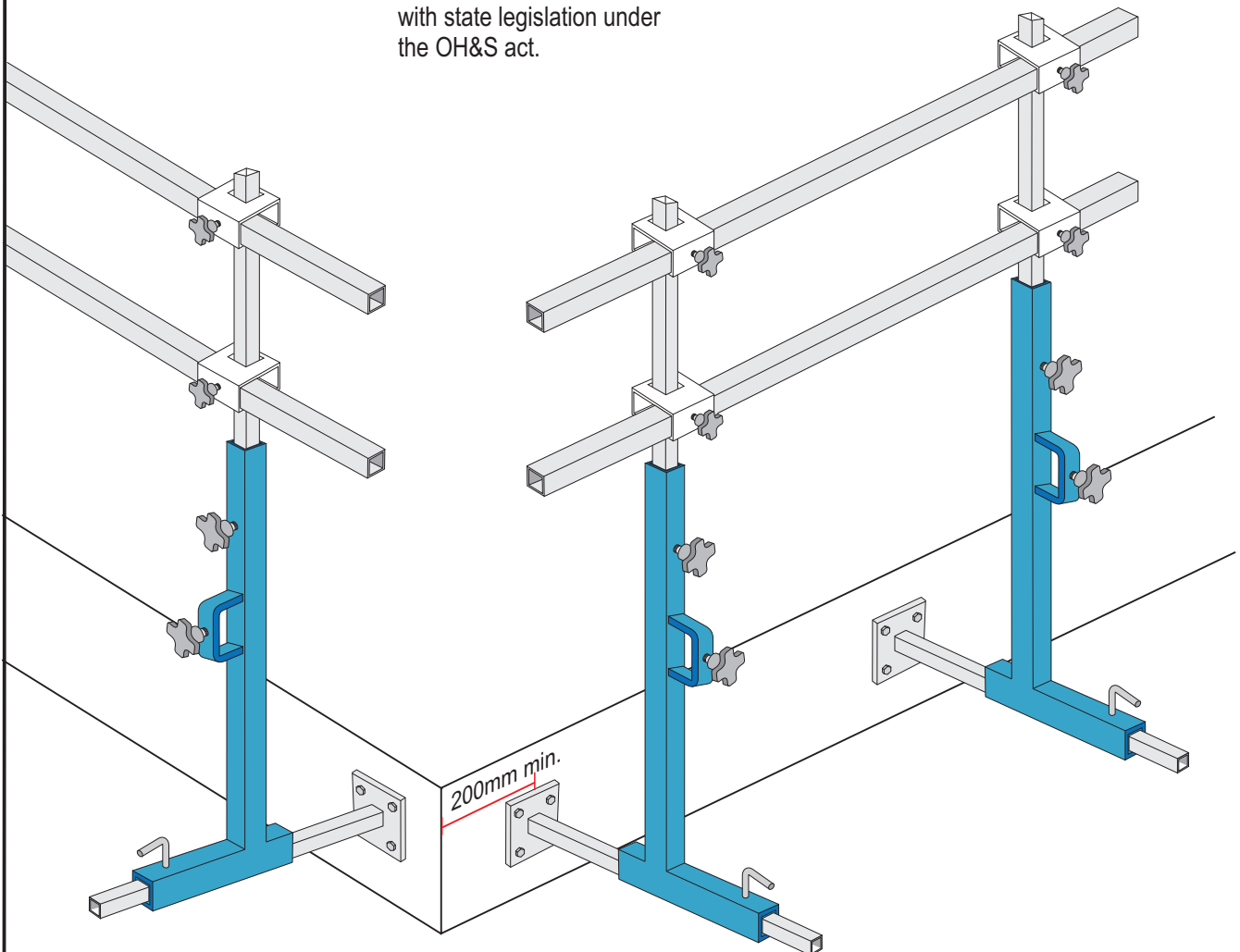
**INSTALLATION MANUAL & TEST REPORTS
AVAILABLE UPON REQUEST.**

Concrete Bolt On Handrail

Aldeck

UNDER PURLIN

- Maximum post spacing is 3 metres.
- When installing or dismantling, this work must be in accordance with state legislation under the OH&S act.



**INSTALLATION MANUAL & TEST REPORTS
AVAILABLE UPON REQUEST.**